



(b) (4)

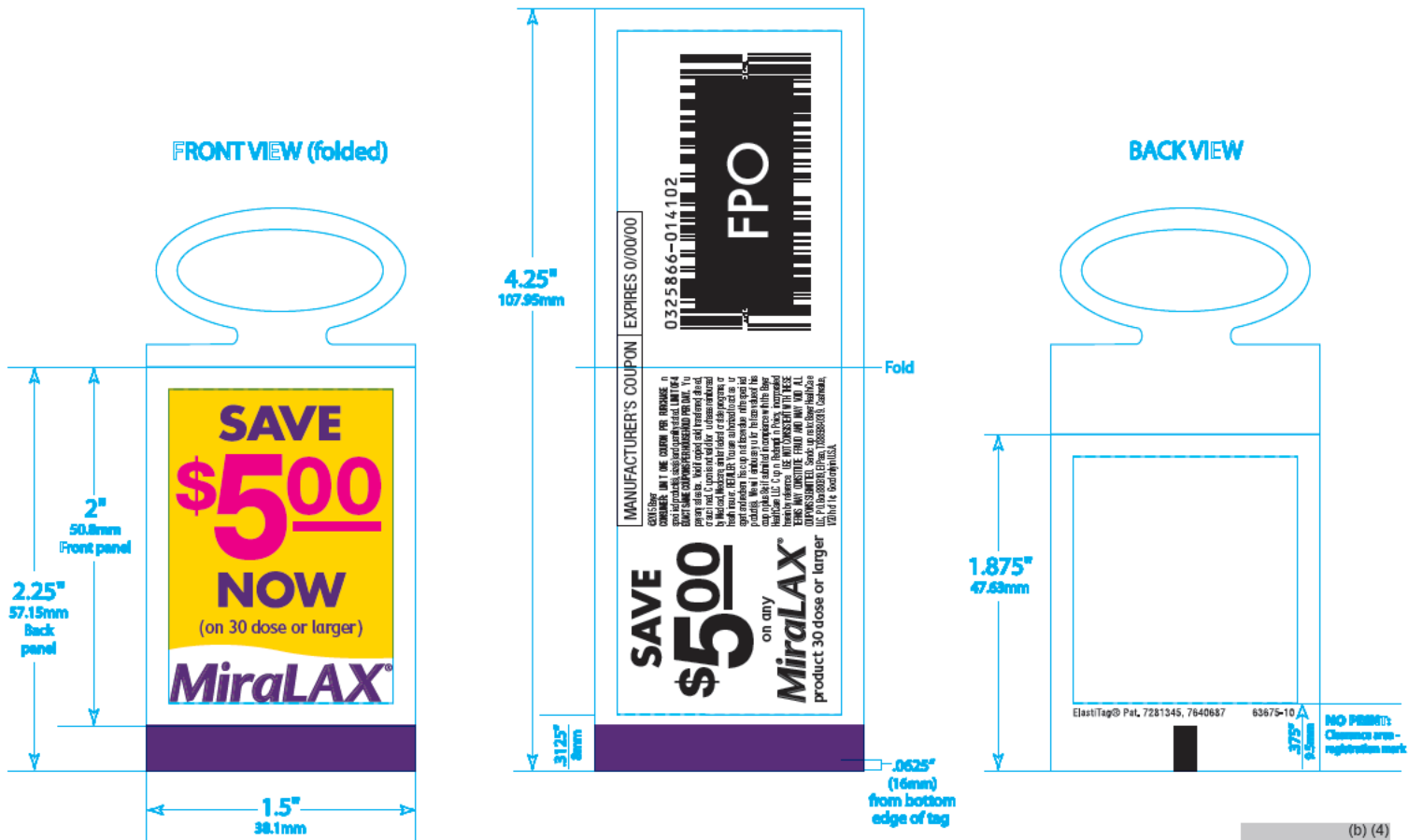


(b) (4)



(b) (4)

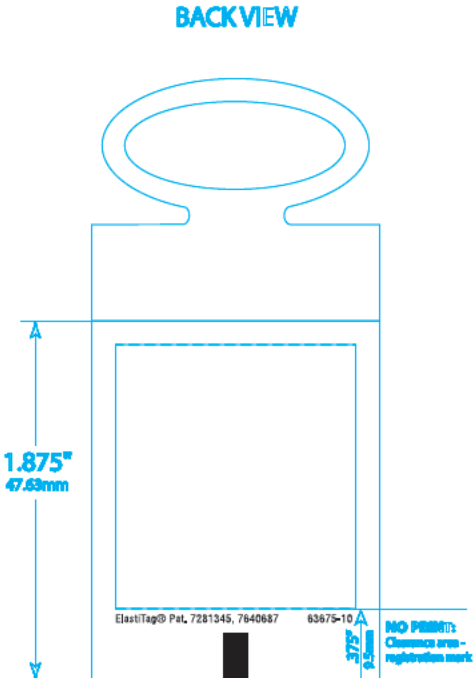
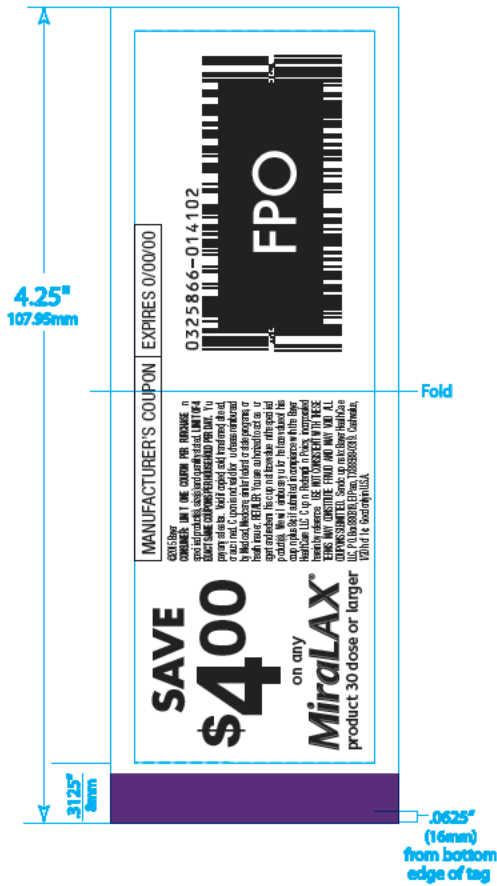
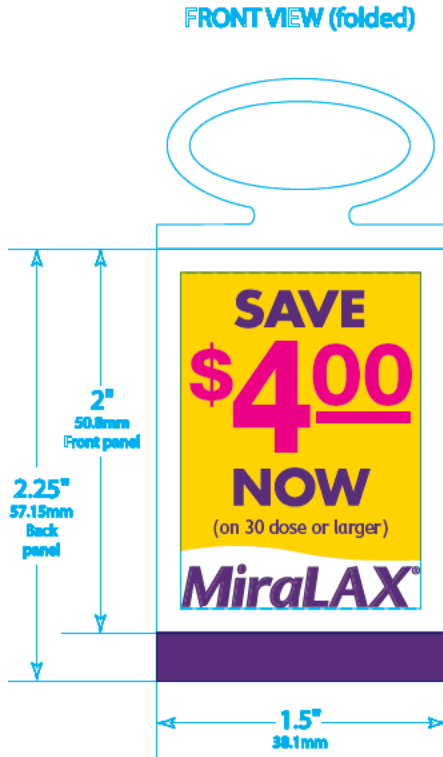
### INSIDE VIEW



(b) (4)

<input type="checkbox"/> Verify UPC (if applicable)	<input type="checkbox"/> Verify SP PDF
<b>Proofread:</b> _____	<b>Date:</b> _____

INSIDE VIEW

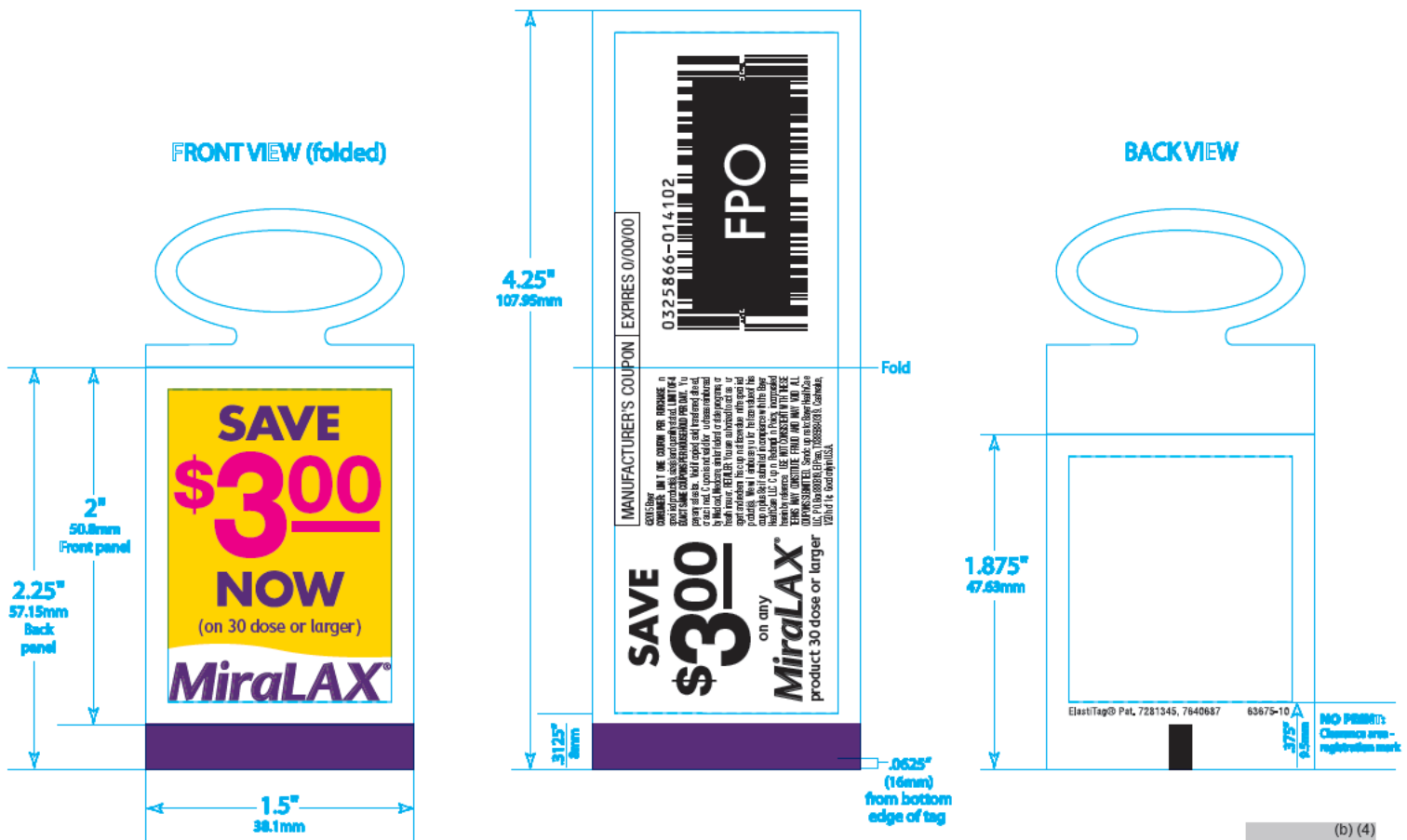


Verify UPC (if applicable)

Verify SP PDF

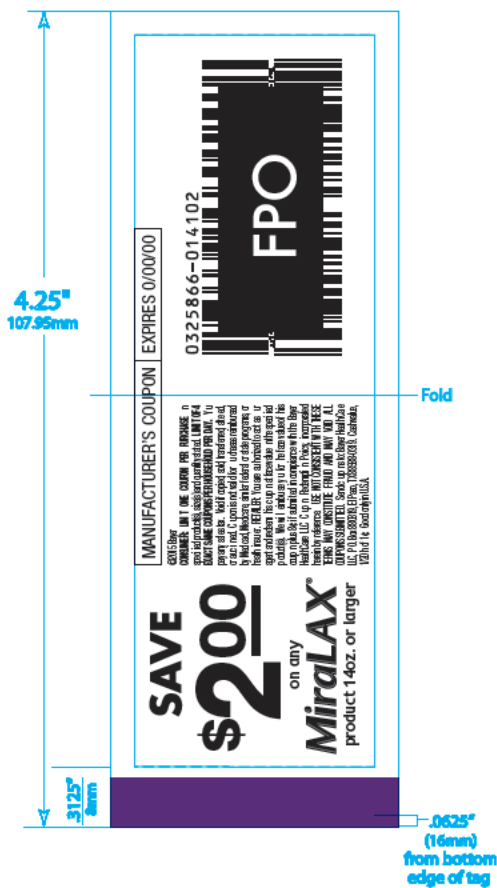
Proofread: \_\_\_\_\_ Date: \_\_\_\_\_

INSIDE VIEW



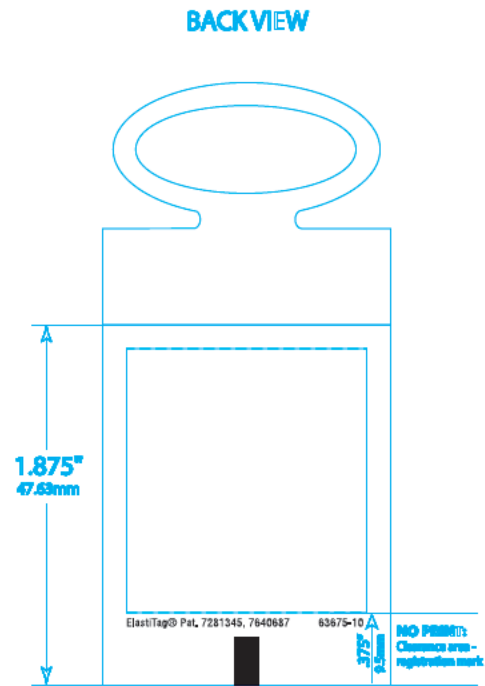
<input type="checkbox"/>	Verify UPC (if applicable)	<input type="checkbox"/>	Verify SP PDF
<b>Proofread:</b> _____		<b>Date:</b> _____	

**INSIDE VIEW**



Fold

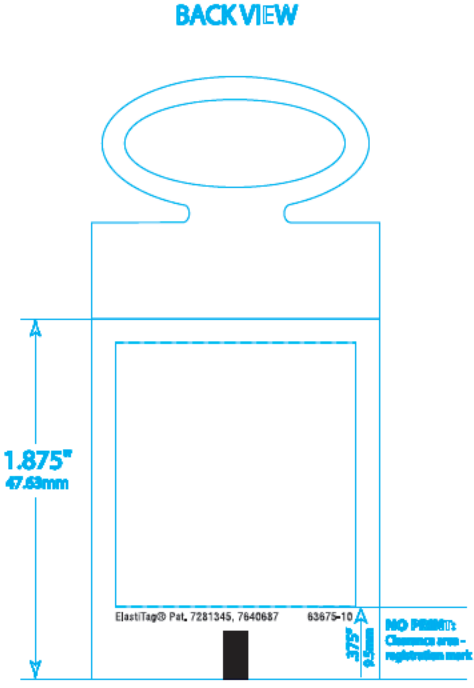
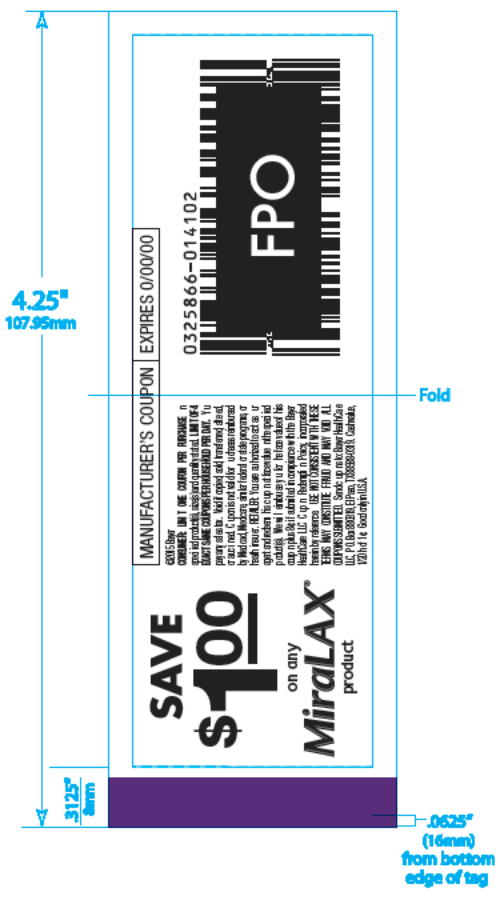
0.625"  
(16mm)  
from bottom  
edge of tag



(b) (4)

<input type="checkbox"/>	Verify UPC (if applicable)	<input type="checkbox"/>	Verify SP PDF
<b>Proofread:</b> _____		<b>Date:</b> _____	

INSIDE VIEW



APO #: 2011-92711  
12.01.11 ju

Verify UPC (if applicable)       Verify SP PDF

**Proofread:** \_\_\_\_\_ **Date:** \_\_\_\_\_



S-13-110 PEG3350 7 Dose Front Labe, Wave (PTI)



(b) (4)

**ATTACH LEGEND ON ALL  
DIGITAL MECHANICALS**

**STANDARD FORMAT**  
Helvetica Condensad  
Variable horizontal scale adheres to 36 characters  
per inch  
**Drug Facts** - 9 pt Helvetica Cnd. Bold Italic  
**Drug Facts** (continued)  
**Drug Facts** - 8 pt Helvetica Cnd. Bold Italic  
(continued) - 8 pt Helvetica Cnd.  
**Headings** - 8 pt Helvetica Cnd. Bold Italic  
**Sub Heads** - 6 pt Helvetica Cnd. Bold  
Text - 6 pt Helvetica Cnd, minimum leading 6.5  
Square Bullets - 5 pt Zaph Dingbats no compression  
Border - 1.5 pt rule, 3/64" gap all around  
Barline - 2.5 pt rule \_\_\_\_\_  
Hairline - .5 pt rule \_\_\_\_\_

Certified by: \_\_\_\_\_

\_\_\_\_\_

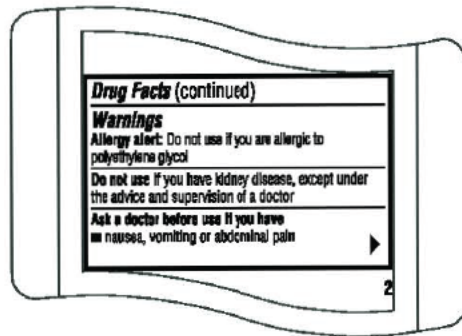
(b) (4)





**ATTACH LEGEND ON ALL  
DIGITAL MECHANICALS**

**STANDARD FORMAT**  
Helvetica Condensed  
Variable horizontal scale adheres to 39 characters  
per inch  
**Drug Facts** - 9 pt Helvetica Cnd. Bold Italic  
**Drug Facts** (continued)  
**Drug Facts** - 8 pt Helvetica Cnd. Bold Italic  
(continued) - 8 pt Helvetica Cnd.  
**Headings** - 8 pt Helvetica Cnd. Bold Italic  
**Sub Heads** - 6 pt Helvetica Cnd. Bold  
Text - 6 pt Helvetica Cnd, minimum leading 6.5  
Square Bullets - 5 pt Zaph Dingbats no compression  
Border - 1.5 pt rule, 3/64" gap all around  
Barline - 2.5 pt rule \_\_\_\_\_  
Hairline - .5 pt rule \_\_\_\_\_

Certified by: \_\_\_\_\_  
\_\_\_\_\_  
(b) (4)

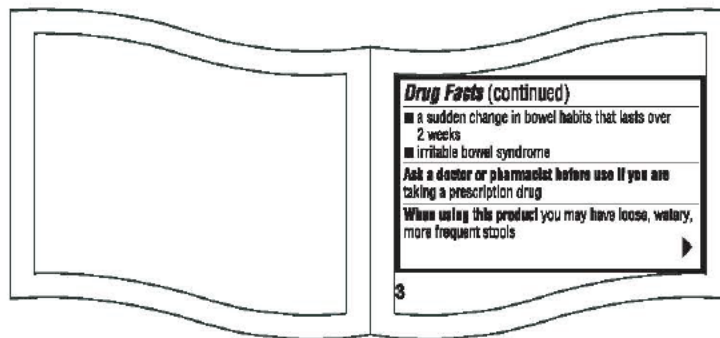


**ATTACH LEGEND ON ALL  
DIGITAL MECHANICALS**

<b>STANDARD FORMAT</b> Helvetica Condensed Variable horizontal scale adheres to 39 characters per inch <i>Drug Facts</i> - 9 pt Helvetica Cnd. Bold Italic <i>Drug Facts</i> (continued) <i>Drug Facts</i> - 8 pt Helvetica Cnd. Bold Italic (continued) - 8 pt Helvetica Cnd. <i>Headings</i> - 8 pt Helvetica Cnd. Bold Italic <i>Sub Heads</i> - 6 pt Helvetica Cnd. Bold Text - 6 pt Helvetica Cnd, minimum leading 8.5 Square Bullets - 5 pt Zaph Dingbats no compression Border - 1.5 pt rule, 3/64" gap all around Barline - 2.5 pt rule  Hairline - .5 pt rule 
---

Certified by: \_\_\_\_\_  
\_\_\_\_\_  
\_\_\_\_\_

(b) (4)

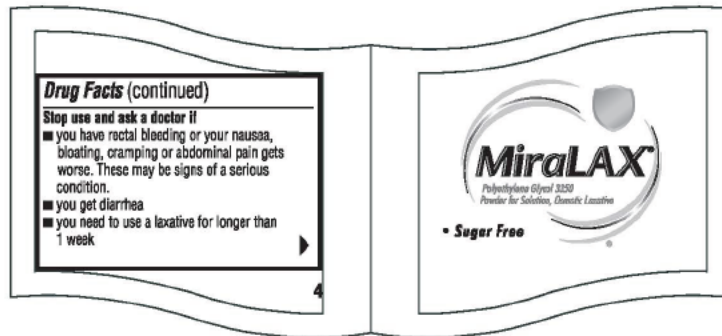


**ATTACH LEGEND ON ALL  
DIGITAL MECHANICALS**

**STANDARD FORMAT**  
Helvetica Condensed  
Variable horizontal scale adheres to 39 characters  
per inch  
**Drug Facts** - 9 pt Helvetica Cnd. Bold Italic  
**Drug Facts** (continued)  
**Drug Facts** - 8 pt Helvetica Cnd. Bold Italic  
(continued) - 8 pt Helvetica Cnd.  
**Headings** - 8 pt Helvetica Cnd. Bold Italic  
**Sub Heads** - 6 pt Helvetica Cnd. Bold  
Text - 6 pt Helvetica Cnd, minimum leading 6.5  
Square Bullets - 5 pt Zaph Dingbats no compression  
Border - 1.5 pt rule, 3/64" gap all around  
Barline - 2.5 pt rule \_\_\_\_\_  
Hairline - .5 pt rule \_\_\_\_\_

Certified by: \_\_\_\_\_

(b) (4)



**ATTACH LEGEND ON ALL DIGITAL MECHANICALS**

**STANDARD FORMAT**  
 Helvetica Condensed  
 Variable horizontal scale adheres to 39 characters per inch

**Drug Facts** - 9 pt Helvetica Cnd. Bold Italic

**Drug Facts (continued)**  
*Drug Facts* - 8 pt Helvetica Cnd. Bold Italic  
 (continued) - 8 pt Helvetica Cnd.

**Headings** - 8 pt Helvetica Cnd. Bold Italic

**Sub Heads** - 6 pt Helvetica Cnd. Bold

Text - 6 pt Helvetica Cnd, minimum leading 6.5

Square Bullets - 5 pt Zaph Dingbats no compression

Border - 1.5 pt rule, 3/64" gap all around

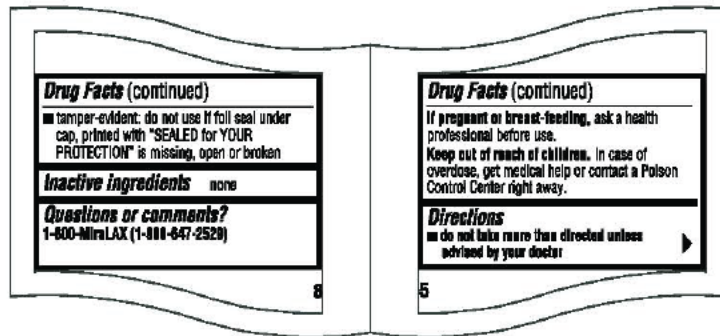
Barline - 2.5 pt rule **—————**

Hairline - .5 pt rule **—————**



Certified by: \_\_\_\_\_

\_\_\_\_\_

(b) (4)

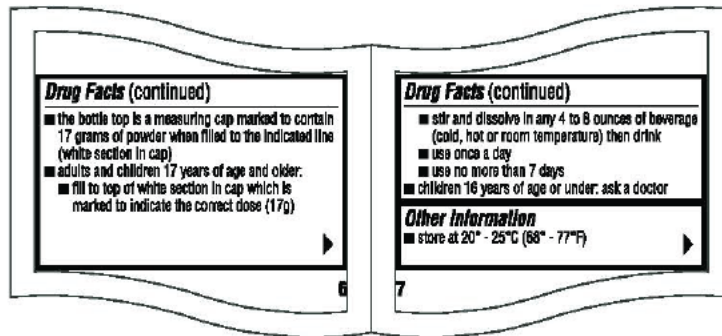


**ATTACH LEGEND ON ALL  
DIGITAL MECHANICALS**

<b>STANDARD FORMAT</b> Helvetica Condensed Variable horizontal scale adheres to 39 characters per inch <b>Drug Facts</b> - 9 pt Helvetica Cnd. Bold Italic <b>Drug Facts (continued)</b> <b>Drug Facts</b> - 8 pt Helvetica Cnd. Bold Italic (continued) - 8 pt Helvetica Cnd. <b>Headings</b> - 8 pt Helvetica Cnd. Bold Italic <b>Sub Heads</b> - 6 pt Helvetica Cnd. Bold Text - 6 pt Helvetica Cnd, minimum leading 6.5 Square Bullets - 5 pt Zaph Dingbats no compression Border - 1.5 pt rule, 3/84" gap all around Barline - 2.5 pt rule  Hairline - 5 pt rule 
--

Certified by: \_\_\_\_\_  
\_\_\_\_\_  
\_\_\_\_\_

(b) (4)





(b) (4)



**ATTACH LEGEND ON ALL DIGITAL MECHANICALS**

**STANDARD FORMAT**  
 Helvetica Condensed  
 Variable horizontal scale adheres to 39 characters per inch

**Drug Facts** - 9 pt Helvetica Cnd. Bold Italic

**Drug Facts** (continued)  
*Drug Facts* - 8 pt Helvetica Cnd. Bold Italic  
 (continued) - 8 pt Helvetica Cnd.

**Headings** - 8 pt Helvetica Cnd. Bold Italic

**Sub Heads** - 6 pt Helvetica Cnd. Bold

Text - 6 pt Helvetica Cnd, minimum leading 6.5

Square Bullets - 5 pt Zaph Dingbats no compression

Border - 1.5 pt rule, 3/64" gap all around

Barline - 2.5 pt rule \_\_\_\_\_

Hairline - .5 pt rule \_\_\_\_\_

Certified by: \_\_\_\_\_

(b) (4) \_\_\_\_\_



**ATTACH LEGEND ON ALL  
DIGITAL MECHANICALS**

**STANDARD FORMAT**  
Helvetica Condensed  
Variable horizontal scale adheres to 39 characters  
per inch  
**Drug Facts** - 9 pt Helvetica Cnd. Bold Italic  
**Drug Facts** (continued)  
**Drug Facts** - 8 pt Helvetica Cnd. Bold Italic  
(continued) - 8 pt Helvetica Cnd.  
**Headings** - 8 pt Helvetica Cnd. Bold Italic  
**Sub Heads** - 6 pt Helvetica Cnd. Bold  
Text - 6 pt Helvetica Cnd, minimum leading 6.5  
Square Bullets - 5 pt Zaph Dingbats no compression  
Border - 1.5 pt rule, 3/64" gap all around  
Barline - 2.5 pt rule \_\_\_\_\_  
Hairline - .5 pt rule \_\_\_\_\_

Certified by: \_\_\_\_\_

(b) (4)

**Drug Facts** (continued)

**Stop use and ask a doctor if**

- you have rectal bleeding or your nausea, bloating, cramping or abdominal pain gets worse. These may be signs of a serious condition.
- you get diarrhea
- you need to use a laxative for longer than 1 week



**If pregnant or breast-feeding, ask a health professional before use.**

**Keep out of reach of children.** In case of overdose, get medical help or contact a Poison Control Center right away.

**Directions**

- do not take more than directed unless advised by your doctor
- the bottle top is a measuring cap marked to contain 17 grams of powder when filled to the indicated line (white section in cap)
- adults and children 17 years of age and older:
  - fill to top of white section in cap which is marked to indicate the correct dose (17g)
  - stir and dissolve in any 4 to 8 ounces of beverage (cold, hot or room temperature) then drink
  - use once a day
  - use no more than 7 days
- children 16 years of age or under: ask a doctor

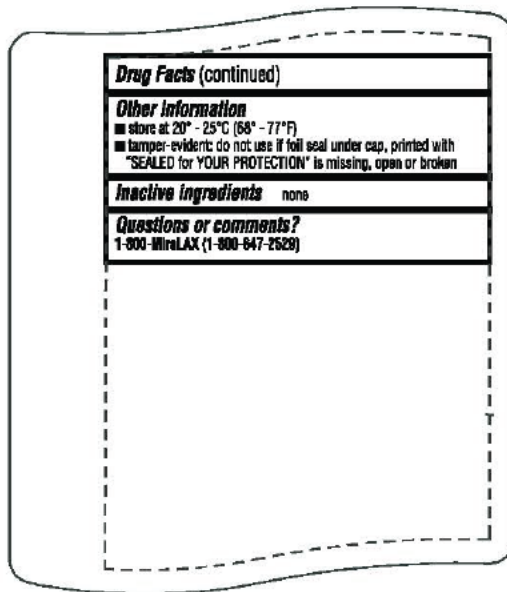
**ATTACH LEGEND ON ALL  
DIGITAL MECHANICALS**

<b>STANDARD FORMAT</b> Helvetica Condensed Variable horizontal scale adheres to 39 characters per inch <b>Drug Facts</b> - 9 pt Helvetica Cnd. Bold Italic <b>Drug Facts</b> (continued) <b>Drug Facts</b> - 8 pt Helvetica Cnd. Bold Italic (continued) - 8 pt Helvetica Cnd. <b>Headings</b> - 8 pt Helvetica Cnd. Bold Italic <b>Sub Heads</b> - 6 pt Helvetica Cnd. Bold Text - 6 pt Helvetica Cnd, minimum leading 6.5 Square Bullets - 5 pt Zaph Dingbats no compression Border - 1.5 pt rule, 3/64" gap all around Barline - 2.5 pt rule  Hairline - .5 pt rule 
---



Certified by: \_\_\_\_\_

\_\_\_\_\_

(b) (4)



**ATTACH LEGEND ON ALL DIGITAL MECHANICALS**

<b>STANDARD FORMAT</b>
Helvetica Condensed
Variable horizontal scale adheres to 39 characters per inch
<b>Drug Facts</b> - 9 pt Helvetica Cnd. Bold Italic
<b>Drug Facts</b> (continued)
<b>Drug Facts</b> - 8 pt Helvetica Cnd. Bold Italic (continued) - 8 pt Helvetica Cnd.
<b>Headings</b> - 8 pt Helvetica Cnd. Bold Italic
<b>Sub Heads</b> - 8 pt Helvetica Cnd. Bold
Text - 8 pt Helvetica Cnd, minimum leading 6.5
Square Bullets - 5 pt Zaph Dingbats no compression
Border - 1.5 pt rule, 3/64" gap all around
Barline - 2.5 pt rule 
Hairline - .5 pt rule 

Certified by: (b) (4)  
 FDA Submission (b) (4)

3.625

3.875

<p><b>Drug Facts</b></p> <p><b>Active ingredient (in each dose) Purpose</b>          Polyethylene Glycol 3350,          17 g (cap filled to line)..... Osmotic Laxative</p> <p><b>Use</b></p> <ul style="list-style-type: none"> <li>■ relieves occasional constipation (irregularity)</li> <li>■ generally produces a bowel movement in 1 to 3 days</li> </ul> <p><b>Warnings</b></p> <p><b>Allergy alert:</b> Do not use if you are allergic to polyethylene glycol</p> <p>Do not use if you have kidney disease, except under the advice and supervision of a doctor</p> <p><b>Ask a doctor before use if you have</b></p> <ul style="list-style-type: none"> <li>■ nausea, vomiting or abdominal pain</li> <li>■ a sudden change in bowel habits that lasts over 2 weeks</li> <li>■ irritable bowel syndrome</li> </ul> <p><b>Ask a doctor or pharmacist before use if you are taking a prescription drug</b></p> <p><b>When using this product you may have loose, watery, more frequent stools</b></p> <p><b>Stop use and ask a doctor if</b></p> <ul style="list-style-type: none"> <li>■ you have rectal bleeding or your nausea, bloating, cramping or abdominal pain gets worse. These may be signs of a serious condition.</li> <li>■ you get diarrhea</li> <li>■ you need to use a laxative for longer than 1 week</li> </ul>	<p><b>Drug Facts (continued)</b></p> <p>If pregnant or breast-feeding, ask a health professional before use.</p> <p><b>Keep out of reach of children.</b> In case of overdose, get medical help or contact a Poison Control Center right away.</p> <p><b>Directions</b></p> <ul style="list-style-type: none"> <li>■ do not take more than directed unless advised by your doctor</li> <li>■ the bottle top is a measuring cap marked to contain 17 grams of powder when filled to the indicated line (white section in cap)</li> <li>■ adults and children 17 years of age and older:             <ul style="list-style-type: none"> <li>■ fill to top of white section in cap which is marked to indicate the correct dose (17g)</li> <li>■ stir and dissolve in any 4 to 8 ounces of beverage (cold, hot or room temperature) then drink</li> <li>■ use once a day</li> <li>■ use no more than 7 days</li> </ul> </li> <li>■ children 16 years of age or under: ask a doctor</li> </ul> <p><b>Other information</b></p> <ul style="list-style-type: none"> <li>■ store at 20° - 25°C (68° - 77°F)</li> <li>■ tamper-evident: do not use if foil seal under cap, printed with "SEALED for YOUR PROTECTION" is missing, open or broken</li> </ul> <p><b>Inactive ingredients</b> none</p> <p><b>Questions or comments?</b>          1-800-NINELAX (1-800-647-2526)</p>
---	---

• Sugar Free      36889-04

**ATTACH LEGEND ON ALL DIGITAL MECHANICALS**

**STANDARD FORMAT**  
 Helvetica Condensed  
 Variable horizontal scale adheres to 39 characters per inch

**Drug Facts - 9 pt Helvetica Cnd. Bold Italic**

**Drug Facts (continued)**  
*Drug Facts - 8 pt Helvetica Cnd. Bold Italic (continued) - 8 pt Helvetica Cnd.*

**Headings - 8 pt Helvetica Cnd. Bold Italic**

**Sub Heads - 6 pt Helvetica Cnd. Bold**

**Text - 6 pt Helvetica Cnd, minimum leading 6.5**

**Square Bullets - 5 pt Zaph Dingbats no compression**

**Border - 1.5 pt rule, 3/64" gap all around**

**Barline - 2.5 pt rule** \_\_\_\_\_

**Hairline - .5 pt rule** \_\_\_\_\_

Certified by: (b) (4) \_\_\_\_\_

\_\_\_\_\_

(b) (4)

3.825

3.875

<p><b>Drug Facts</b></p> <p><b>Active ingredient (in each dose) Purpose</b>                  Polyethylene Glycol 3350,                  17 g (cap filled to line)..... Osmotic Laxative</p> <p><b>Use</b></p> <ul style="list-style-type: none"> <li>■ relieves occasional constipation (irregularity)</li> <li>■ generally produces a bowel movement in 1 to 3 days</li> </ul> <p><b>Warnings</b></p> <p><b>Allergy alert:</b> Do not use if you are allergic to polyethylene glycol</p> <p>Do not use if you have kidney disease, except under the advice and supervision of a doctor</p> <p><b>Ask a doctor before use if you have</b></p> <ul style="list-style-type: none"> <li>■ nausea, vomiting or abdominal pain</li> <li>■ a sudden change in bowel habits that lasts over 2 weeks</li> <li>■ irritable bowel syndrome</li> </ul> <p><b>Ask a doctor or pharmacist before use if you are taking a prescription drug</b></p> <p>When using this product you may have loose, watery, more frequent stools</p> <p><b>Stop use and ask a doctor if</b></p> <ul style="list-style-type: none"> <li>■ you have rectal bleeding or your nausea, bloating, cramping or abdominal pain gets worse. These may be signs of a serious condition.</li> <li>■ you get diarrhea</li> <li>■ you need to use a laxative for longer than 1 week</li> </ul>	<p><b>Drug Facts (continued)</b></p> <p>If pregnant or breast-feeding, ask a health professional before use.</p> <p><b>Keep out of reach of children.</b> In case of overdose, get medical help or contact a Poison Control Center right away.</p> <p><b>Directions</b></p> <ul style="list-style-type: none"> <li>■ do not take more than directed unless advised by your doctor</li> <li>■ the bottle top is a measuring cap marked to contain 17 grams of powder when filled to the indicated line (white section in cap)</li> <li>■ adults and children 17 years of age and older:                         <ul style="list-style-type: none"> <li>■ fill to top of white section in cap which is marked to indicate the correct dose (17g)</li> <li>■ stir and dissolve in any 4 to 8 ounces of beverage (cold, hot or room temperature) then drink</li> <li>■ use once a day</li> <li>■ use no more than 7 days</li> </ul> </li> <li>■ children 18 years of age or under: ask a doctor</li> </ul> <p><b>Other information</b></p> <ul style="list-style-type: none"> <li>■ store at 20° - 25°C (68° - 77°F)</li> <li>■ tamper-evident: do not use if foil seal under cap, printed with "SEALED FOR YOUR PROTECTION" is missing, open or broken</li> </ul> <p><b>Inactive ingredients</b> none</p> <p><b>Questions or comments?</b>                  1-800-MiraLAX (1-800-647-2526)</p>
--	---

• Sugar Free      38500-00

**ATTACH LEGEND ON ALL DIGITAL MECHANICALS**

**STANDARD FORMAT**  
 Helvetica Condensed  
 Variable horizontal scale adheres to 39 characters per inch

**Drug Facts** - 9 pt Helvetica Cnd. Bold Italic  
**Drug Facts** (continued)  
**Drug Facts** - 8 pt Helvetica Cnd. Bold Italic (continued) - 8 pt Helvetica Cnd.

**Headings** - 8 pt Helvetica Cnd. Bold Italic  
**Sub Heads** - 6 pt Helvetica Cnd. Bold

Text - 6 pt Helvetica Cnd, minimum leading 6.5  
 Square Bullets - 5 pt Zaph Dingbats no compression  
 Border - 1.5 pt rule, 3/64" gap all around  
 Barline - 2.5 pt rule  
 Hairline - .5 pt rule

Certified by: \_\_\_\_\_

(b) (4)





FDA Submission: 05.06.15

**ATTACH LEGEND ON ALL DIGITAL MECHANICALS**

**STANDARD FORMAT**  
 Helvetica Condensed  
 Variable horizontal scale adheres to 39 characters per inch

**Drug Facts - 9 pt Helvetica Cnd. Bold Italic**

**Drug Facts (continued)**  
*Drug Facts - 8 pt Helvetica Cnd. Bold Italic (continued) - 8 pt Helvetica Cnd.*

**Headings - 8 pt Helvetica Cnd. Bold Italic**

**Sub Heads - 6 pt Helvetica Cnd. Bold**

**Text - 6 pt Helvetica Cnd, minimum leading 6.5**

**Square Bullets - 5 pt Zaph Dingbats no compression**

**Border - 1.5 pt rule, 3/64" gap all around**

**Barline - 2.5 pt rule** \_\_\_\_\_

**Hairline - .5 pt rule** \_\_\_\_\_

Certified by: \_\_\_\_\_ (b) (4)

\_\_\_\_\_ (b) (4)

3.625

3.875

<p><b>Drug Facts</b></p> <p><b>Active ingredient (in each dose) Purpose</b>                  Polyethylene Glycol 3350,                  17 g (cap filled to line)..... Osmotic Laxative</p> <p><b>Use</b></p> <ul style="list-style-type: none"> <li>■ relieves occasional constipation (irregularity)</li> <li>■ generally produces a bowel movement in 1 to 3 days</li> </ul> <p><b>Warnings</b></p> <p><b>Allergy alert:</b> Do not use if you are allergic to polyethylene glycol</p> <p>Do not use if you have kidney disease, except under the advice and supervision of a doctor</p> <p><b>Ask a doctor before use if you have</b></p> <ul style="list-style-type: none"> <li>■ nausea, vomiting or abdominal pain</li> <li>■ a sudden change in bowel habits that lasts over 2 weeks</li> <li>■ irritable bowel syndrome</li> </ul> <p><b>Ask a doctor or pharmacist before use if you are taking a prescription drug</b></p> <p>When using this product you may have loose, watery, more frequent stools</p> <p><b>Stop use and ask a doctor if</b></p> <ul style="list-style-type: none"> <li>■ you have rectal bleeding or your nausea, bloating, cramping or abdominal pain gets worse. These may be signs of a serious condition.</li> <li>■ you get diarrhea</li> <li>■ you need to use a laxative for longer than 1 week</li> </ul>	<p><b>Drug Facts (continued)</b></p> <p>If pregnant or breast-feeding, ask a health professional before use.</p> <p><b>Keep out of reach of children.</b> In case of overdose, get medical help or contact a Poison Control Center right away.</p> <p><b>Directions</b></p> <ul style="list-style-type: none"> <li>■ do not take more than directed unless advised by your doctor</li> <li>■ the bottle top is a measuring cap marked to contain 17 grams of powder when filled to the indicated line (white section in cap)</li> <li>■ adults and children 17 years of age and older:                         <ul style="list-style-type: none"> <li>■ fill to top of white section in cap which is marked to indicate the correct dose (17g)</li> <li>■ stir and dissolve in any 4 to 8 ounces of beverage (cold, hot or room temperature) then drink</li> <li>■ use once a day</li> <li>■ use no more than 7 days</li> </ul> </li> <li>■ children 18 years of age or under: ask a doctor</li> </ul> <p><b>Other information</b></p> <ul style="list-style-type: none"> <li>■ store at 20° - 25°C (68° - 77°F)</li> <li>■ tamper-evident: do not use if foil seal under cap, printed with "SEALED FOR YOUR PROTECTION" is missing, open or broken</li> </ul> <p><b>Inactive Ingredients</b> none</p> <p><b>Questions or comments?</b>                  1-800-MiraLAX (1-800-647-2526)</p>
--	---

• Sugar Free      38500-00



