

Varnish Free Area (White)

234mm 113mm

6mm

16mm

3mm

2549

3mm

361mm

30mm

64mm

45.5mm

64mm

46.5mm

64.5mm

1mm

45.5mm

7mm 2549 7mm

2mm

DO NOT SHAKE

Breath-Actuated Inhalation Aerosol  
**QVAR** 40mcg  
**RediHaler**<sup>™</sup>  
 (beclomethasone dipropionate HFA)

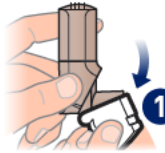
PC5215

6mm approx

**Quick Guide**

Read complete Instructions for Use inside carton before using inhaler

**IMPORTANT:** You must close the white cap to prepare the inhaler before each inhalation.



**OPEN**  
Open the white cap.



**INHALE**  
Breathe in deeply to release the medication. Hold your breath.



**Click!**  
**CLOSE**  
Close the white cap to prepare your next dose.

NDC 59310-302-40

**QVAR** 40mcg  
**RediHaler**<sup>™</sup>  
 (beclomethasone dipropionate HFA)

Breath-Actuated Inhalation Aerosol  
 For oral inhalation only  
 Each QVAR 40 metered inhalation delivers 40 mcg beclomethasone dipropionate from the actuator. Inactive ingredients are propellant HFA-134a and ethanol.

**DO NOT SHAKE**  
**DO NOT PRIME**  
 Discard inhaler when dose counter reaches 0 or after the expiration date on the product, whichever comes first.  
 © 2020 Teva Respiratory, LLC.  
 Distributed by:  
 Teva Pharmaceuticals USA, Inc.  
 Parsippany, NJ 07054  
 Manufactured in Ireland  
 Rev. XX/2020

**120 Metered Inhalations**  
 10.6 g NET CONTENTS



Rx only

Usual dosage: Read package insert for prescribing information.  
**CONTENTS UNDER PRESSURE.**  
 Do not puncture. Do not use or store near heat or open flame. Exposure to temperatures above 49°C (120°F) may cause bursting. Never throw container into fire or incinerator.  
 Store at 25°C (77°F); excursions permitted between 15° and 30°C (59° and 86°F).

**WARNING:**  
Keep out of reach of children.



NDC 59310-302-40

**QVAR**<sup>™</sup>  
**RediHaler**<sup>™</sup>  
 (beclomethasone dipropionate HFA)  
 Breath-Actuated Inhalation Aerosol

**40mcg**  
 For oral inhalation only

**Lift side flap**  
for instructions on how to use inhaler

**120 Metered Inhalations**  
 10.6 g NET CONTENTS

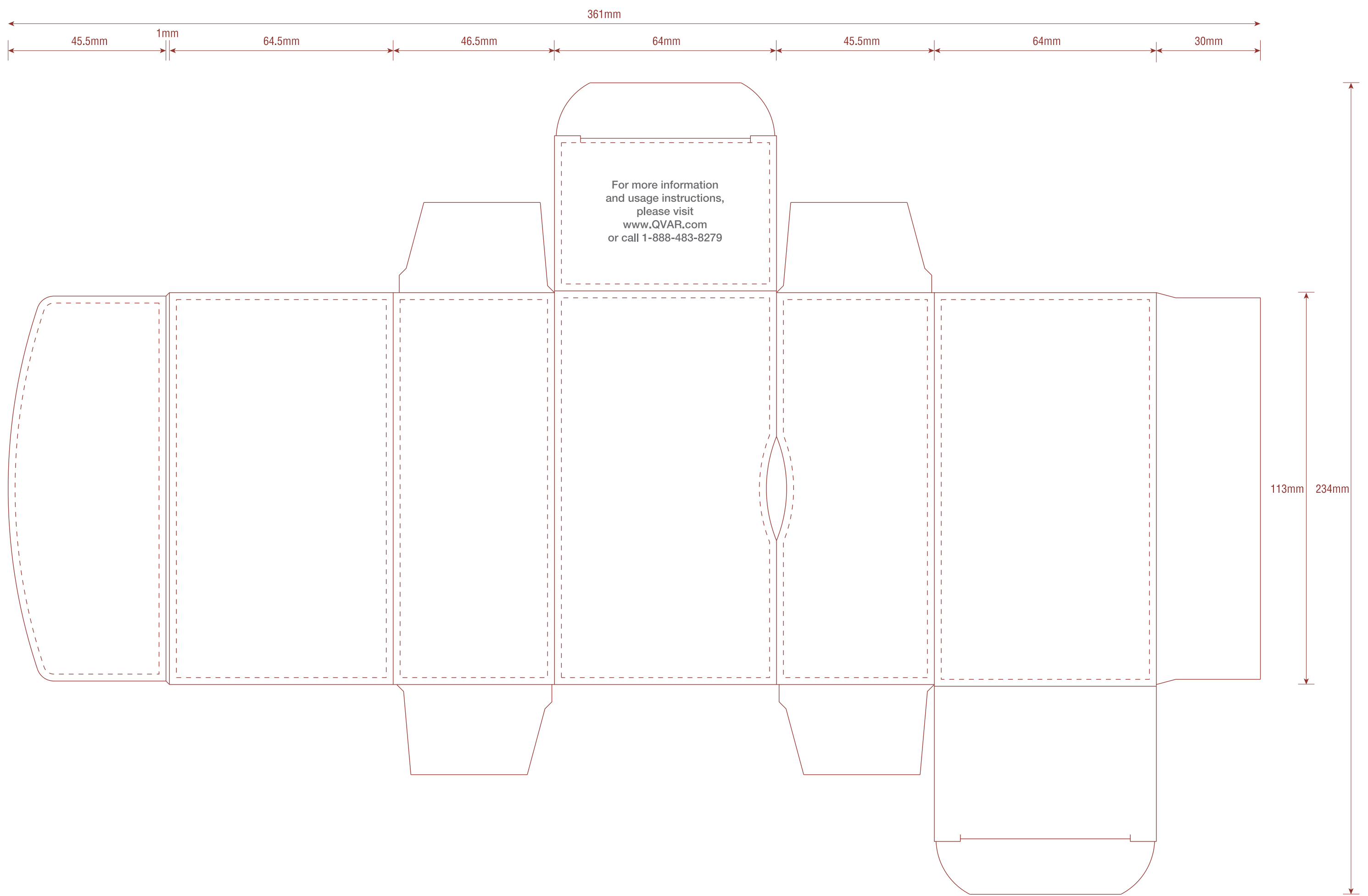


Lift for Quick Guide (See full patient instructions inside carton)

This inhaler is a breath-actuated inhaler, **NOT** a press-and-breathe inhaler. You must close the white cap to prepare the inhaler before each inhalation.



Lift Here





Breath-Actuated Inhalation Aerosol  
**QVAR** 40mcg  
**RediHaler**<sup>™</sup>  
 (beclomethasone dipropionate HFA)

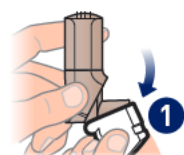
DO NOT SHAKE

PC5215

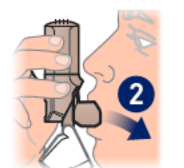
### Quick Guide

Read complete Instructions for Use inside carton before using inhaler

**IMPORTANT:** You must close the white cap to prepare the inhaler before each inhalation.



**OPEN**  
 Open the white cap.



**INHALE**  
 Breathe in deeply to release the medication. Hold your breath.



**Click!**  
**CLOSE**  
 Close the white cap to prepare your next dose.

NDC 59310-302-40

**QVAR** 40mcg  
**RediHaler**<sup>™</sup>  
 (beclomethasone dipropionate HFA)  
 Breath-Actuated Inhalation Aerosol

For oral inhalation only

Each QVAR<sup>®</sup> 40 metered inhalation delivers 40 mcg beclomethasone dipropionate from the actuator. Inactive ingredients are propellant HFA-134a and ethanol.

**DO NOT SHAKE**  
**DO NOT PRIME**

Discard inhaler when dose counter reaches 0 or after the expiration date on the product, whichever comes first.

© 2020 Teva Respiratory, LLC.  
 Distributed by:  
 Teva Pharmaceuticals USA, Inc.  
 Parsippany, NJ 07054  
 Manufactured in Ireland  
 Rev. XXV/2020

**120** Metered Inhalations  
 10.6 g NET CONTENTS

Rx only



Usual dosage: Read package insert for prescribing information.  
**CONTENTS UNDER PRESSURE.**  
 Do not puncture. Do not use or store near heat or open flame. Exposure to temperatures above 49°C (120°F) may cause bursting. Never throw container into fire or incinerator.  
 Store at 25°C (77°F); excursions permitted between 15° and 30°C (59° and 86°F).

**WARNING:**  
 Keep out of reach of children.



N 3 59310-302-40 4

NDC 59310-302-40

**QVAR**  
**RediHaler**<sup>™</sup>  
 (beclomethasone dipropionate HFA)  
 Breath-Actuated Inhalation Aerosol

**40** mcg  
 For oral inhalation only

Lift side flap for instructions on how to use inhaler

**120** Metered Inhalations  
 10.6 g NET CONTENTS



Lift for Quick Guide (See full patient instructions inside carton)

This inhaler is a breath-actuated inhaler, **NOT** a press-and-breathe inhaler.

You must close the white cap to prepare the inhaler before each inhalation.

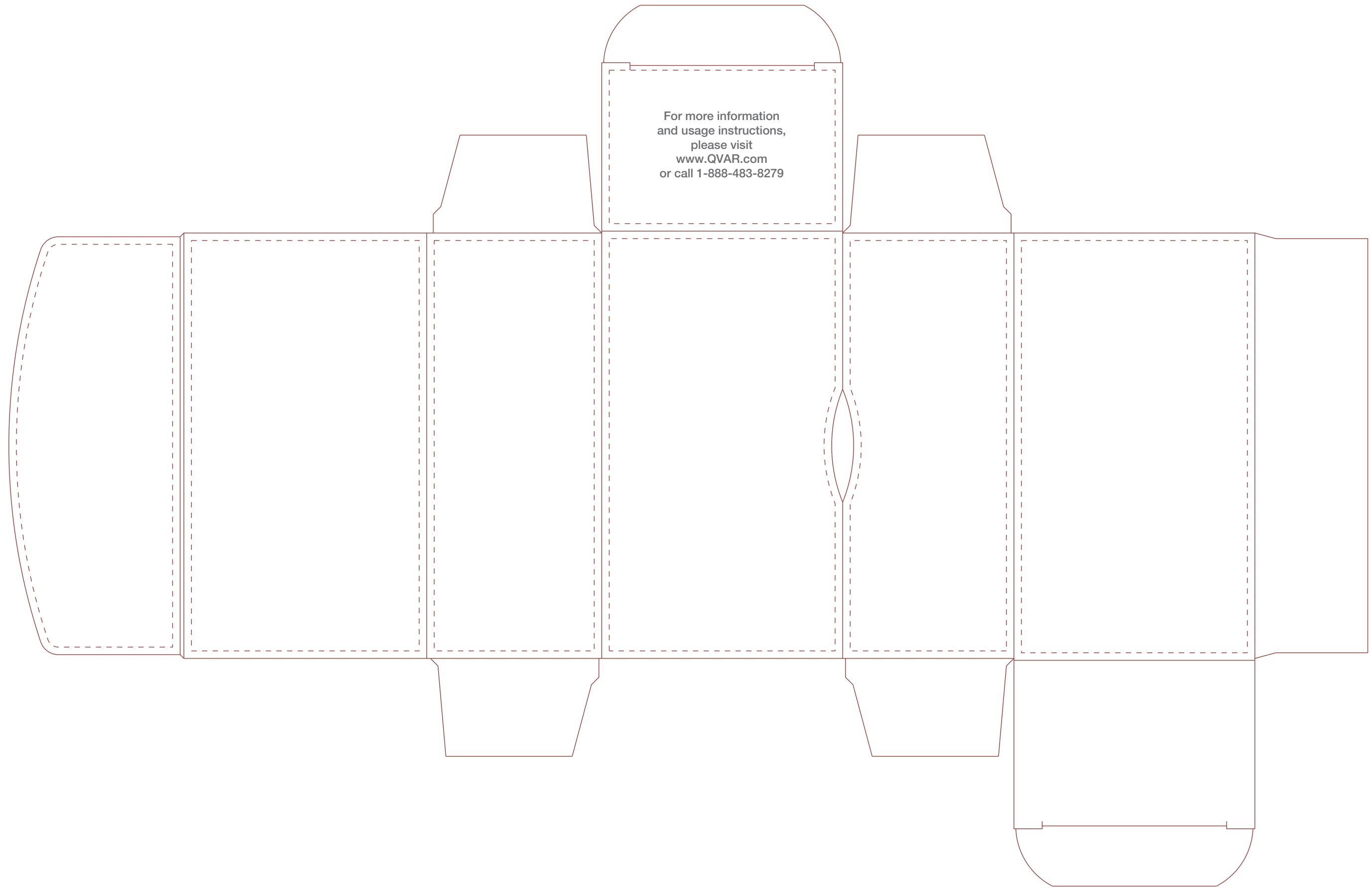


Click!

Lift Here

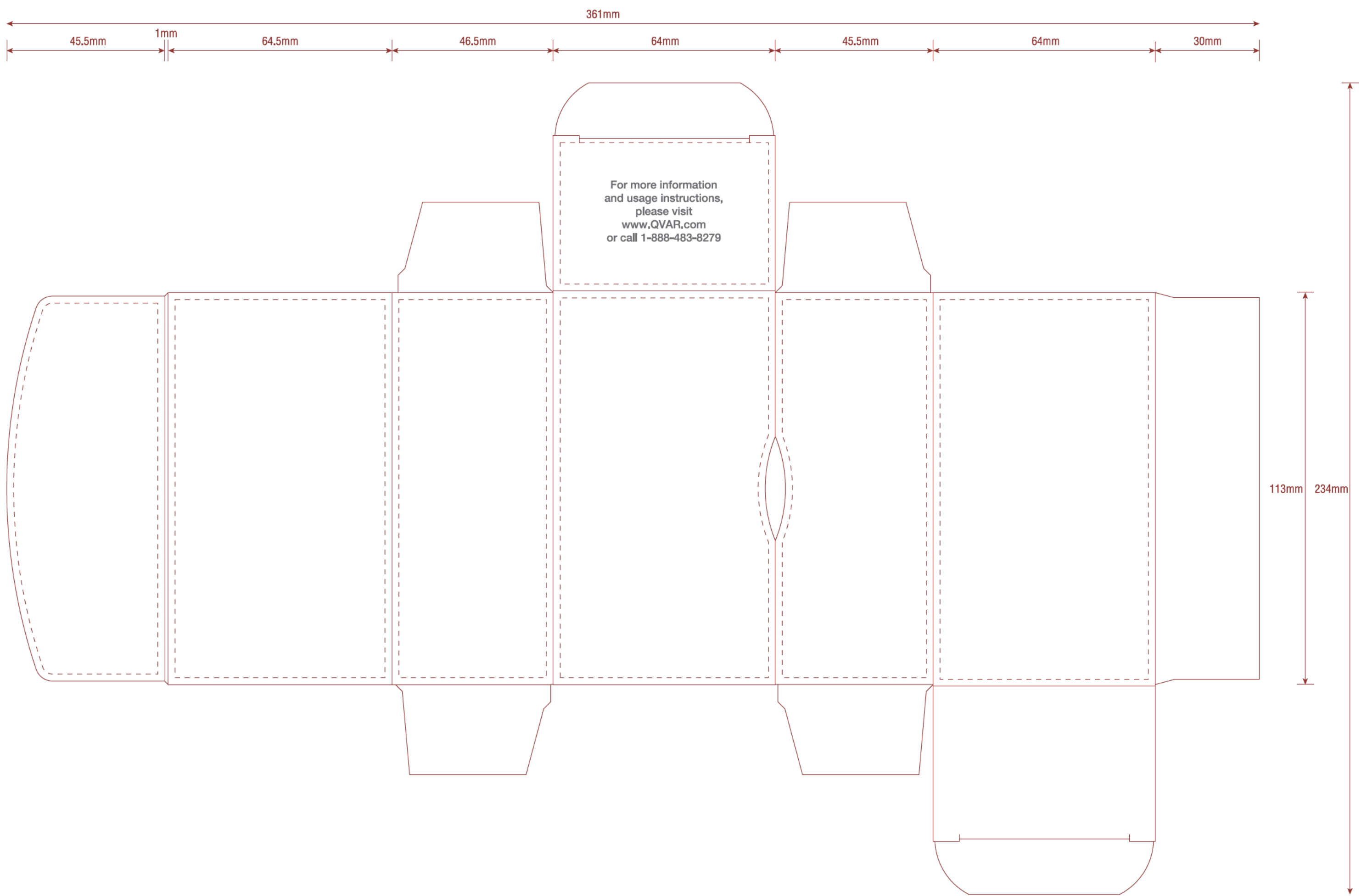
Serialization Coding Area





For more information  
and usage instructions,  
please visit  
[www.QVAR.com](http://www.QVAR.com)  
or call 1-888-483-8279







Breath-Actuated Inhalation Aerosol  
 (beclomethasone dipropionate HFA)  
**QVAR<sup>®</sup> 80<sup>mcg</sup>**  
**RediHaler<sup>™</sup>**

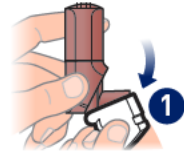
DO NOT SHAKE

PC5216

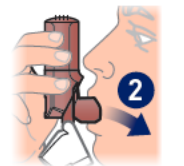
**Quick Guide**

Read complete Instructions for Use inside carton before using inhaler

**IMPORTANT:** You must close the white cap to prepare the inhaler before each inhalation.



**OPEN**  
Open the white cap.



**INHALE**  
Breathe in deeply to release the medication. Hold your breath.



**CLOSE**  
Close the white cap to prepare your next dose.

NDC 59310-304-80

**QVAR<sup>®</sup> 80<sup>mcg</sup>**  
**RediHaler<sup>™</sup>**  
 (beclomethasone dipropionate HFA)  
 Breath-Actuated Inhalation Aerosol

For oral inhalation only  
 Each QVAR<sup>®</sup> 80 metered inhalation delivers 80 mcg beclomethasone dipropionate from the actuator. Inactive ingredients are propellant HFA-134a and ethanol.

**DO NOT SHAKE**  
**DO NOT PRIME**  
 Discard inhaler when dose counter reaches 0 or after the expiration date on the product, whichever comes first.

© 2020 Teva Respiratory, LLC.  
 Distributed by:  
 Teva Pharmaceuticals USA, Inc.  
 Parsippany, NJ 07054  
 Manufactured in Ireland  
 Rev. XX/2020

**120 Metered Inhalations**  
 10.6 g NET CONTENTS

Rx only



Usual dosage: Read package insert for prescribing information.  
**CONTENTS UNDER PRESSURE.** Do not puncture. Do not use or store near heat or open flame. Exposure to temperatures above 49°C (120°F) may cause bursting. Never throw container into fire or incinerator.  
 Store at 25°C (77°F); excursions permitted between 15° and 30°C (59° and 86°F).  
**WARNING:** Keep out of reach of children.



3 59310-304-80 4

NDC 59310-304-80

**QVAR<sup>®</sup>**  
**RediHaler<sup>™</sup>**  
 (beclomethasone dipropionate HFA)  
 Breath-Actuated Inhalation Aerosol

**80<sup>mcg</sup>**  
 For oral inhalation only

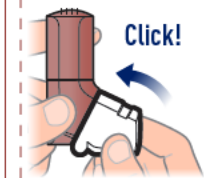
Lift side flap for instructions on how to use inhaler

**120 Metered Inhalations**  
 10.6 g NET CONTENTS



Lift for Quick Guide (See full patient instructions inside carton)

This inhaler is a breath-actuated inhaler, **NOT** a press-and-breathe inhaler. You must close the white cap to prepare the inhaler before each inhalation.

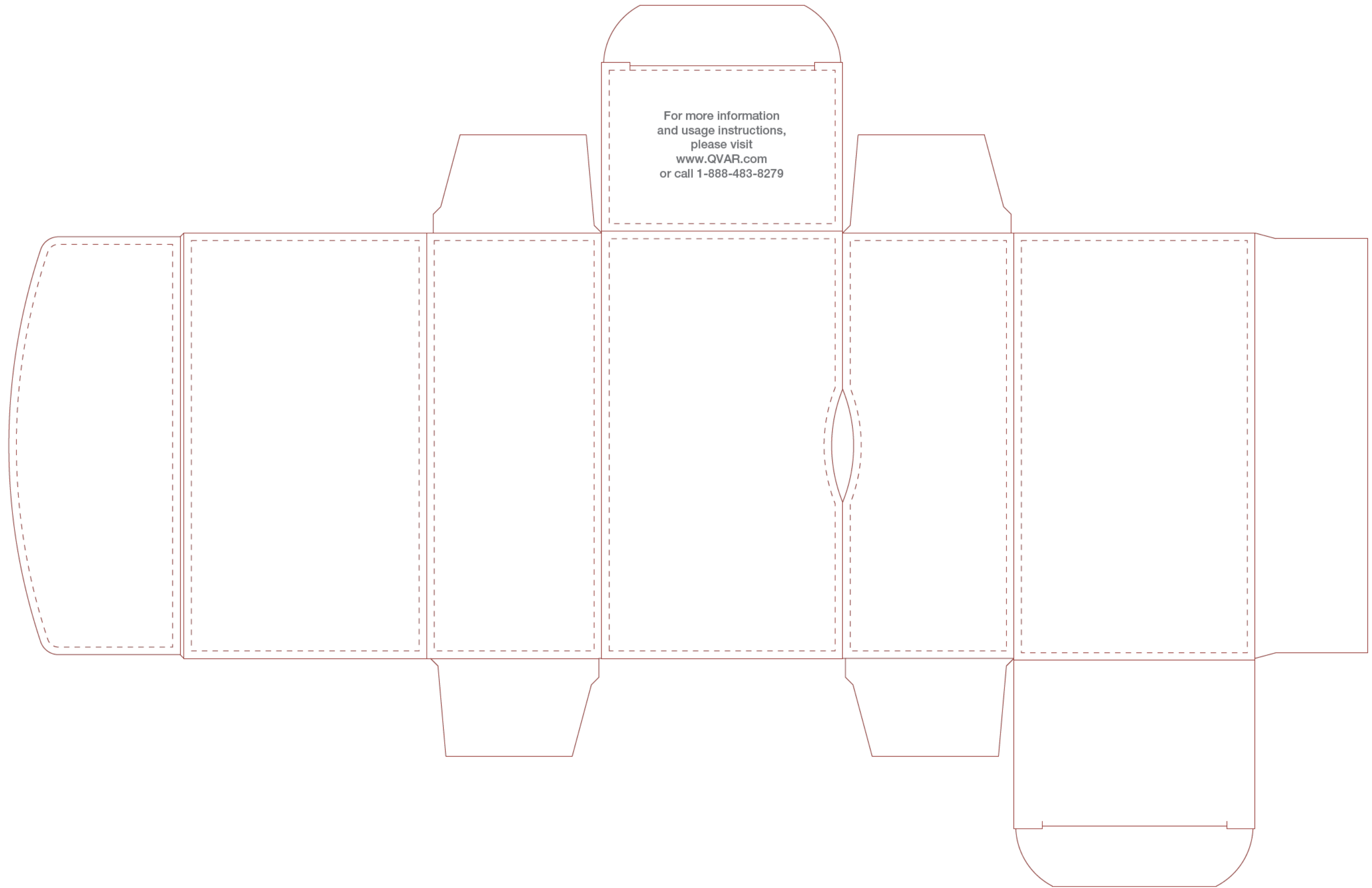


Click!

Lift Here

Serialization Coding Area





For more information  
and usage instructions,  
please visit  
[www.QVAR.com](http://www.QVAR.com)  
or call 1-888-483-8279



-----  
**This is a representation of an electronic record that was signed electronically. Following this are manifestations of any and all electronic signatures for this electronic record.**  
-----

/s/  
-----

SALLY M SEYMOUR  
01/06/2021 10:06:22 AM